

Active 100

Electric height-adjustable couch



COUCHES

Frequent Usage

Physiotherapy
Rehabilitation
Bobath
Visit
Examinations
Bariatric treatments

VERSION WITH
ACCESSORY



VERSION 1.0
SINGLE SECTION



VERSION 1.1
2 SECTIONS



VERSION 1.2
4 SECTIONS

PROFESSIONAL &
LARGE SIZES

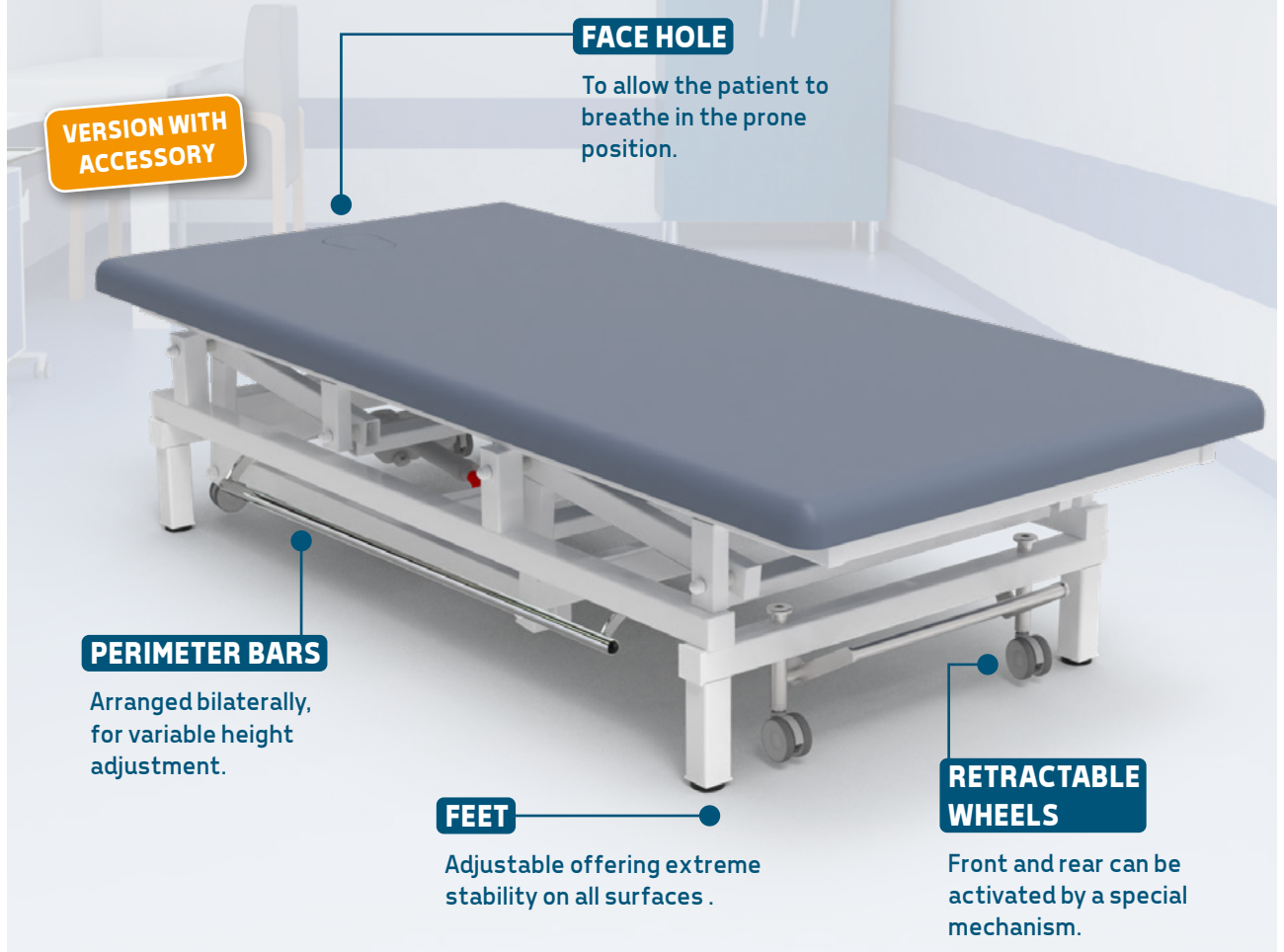
for the treatment of neurological syndromes





PROFESSIONAL & LARGE SIZES

The **Active couch** is extremely robust and offers guarantees in terms of stability and safety, and can be used for physiotherapy treatments, specialist examinations and examinations. The motorised functions of the medical device allow the operator to perform his or her activities easily while offering the patient optimal posture and comfort.



BOBATH METHOD

The Bobath method represents the physiotherapeutic approach for patients with movement and postural control disorders related to neurological injuries. The Bobath method requires a strong interaction between patient and physiotherapist: it is not a form of passive physiotherapy, but more of a re-education, a continuous learning of the patient and, in parallel, a continuous re-evaluation and re-setting by the therapist.





3 DIFFERENT VERSIONS

The Active medical device is designed in three different versions, each offering particular operating solutions. It is possible to have the device with: a single top, a two-section top and a three-section top. The available versions are shown below:

VERSION 1.0
SINGLE SECTION



← 100 cm →

VERSION 1.1
2 SECTIONS



← 100 cm →

VERSION 1.2
4 SECTIONS



← 100 cm →

DO YOU WANT TO CUSTOMISE THE WIDTH OF THE PLAN?

The Active 100 medical device is designed with a top width of 100 cm, however, you can customise the top width by choosing from the following sizes:

- **85 cm** top width (accessory code AC189/1);
- **90 cm** top width (accessory code AC189/2);
- **95 cm** top width (accessory code AC189/3).



Do you want to upgrade this device?

Scan the QR code and check out the entire range of accessories available for this device.



ACTIVE 100 VERSION 1.0

The Active 100 version 1.0 couch is equipped with a **single section** and is specially designed for physiotherapy treatments, examinations and examinations. Thanks to the large surface area of this device, it is possible to accompany the patient in numerous exercises aimed at rehabilitation.

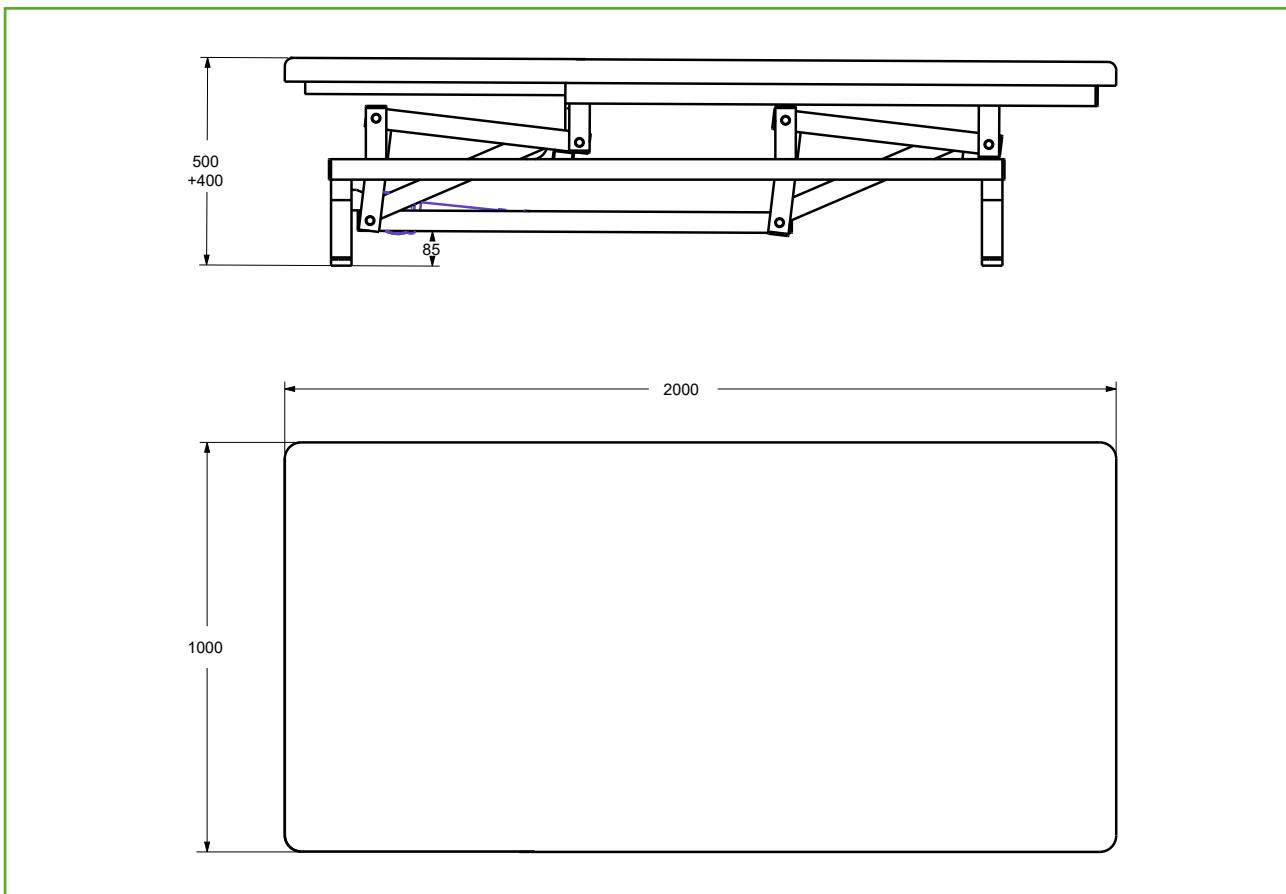
Standard Features

- Motorised table height adjustment by means of linkages operated by a low-voltage linear actuator. It is possible to achieve a minimum height of 50 cm up to a maximum height of 90 cm, with a total range of 40 cm.
- Reinforced frame, made of steel painted with thermosetting epoxy powders enriched with antibacterial, customised colour on request.
- The perimeter hand control is equipped with a 3.5 m coiled cable. For patient safety, the hand control is equipped with a key for control inhibition (equipment code AC34L). The hand control is easy to use as it has large raised pictograms and is also suitable for visually impaired patients; IP66 insulation.
- 4 adjustable feet at the base of the frame for extreme stability on all surfaces.
- Padding made of high-density foam resin.
- Upholstery in class 11M leatherette, a material that can be sanitised with commonly used detergents and medical-surgical aids, with antibacterial, antifungal and stain-resistant properties. Colour customisation on request (equipment code AC87/1).





DIMENSIONS





ACTIVE 100 VERSION 1.1

The Active 100 version 1.1 couch is equipped with a **two sections** and is specially designed for physiotherapy treatments, examinations and examinations. Thanks to the large surface area of this device, it is possible to accompany the patient in numerous exercises aimed at rehabilitation.

Standard Features

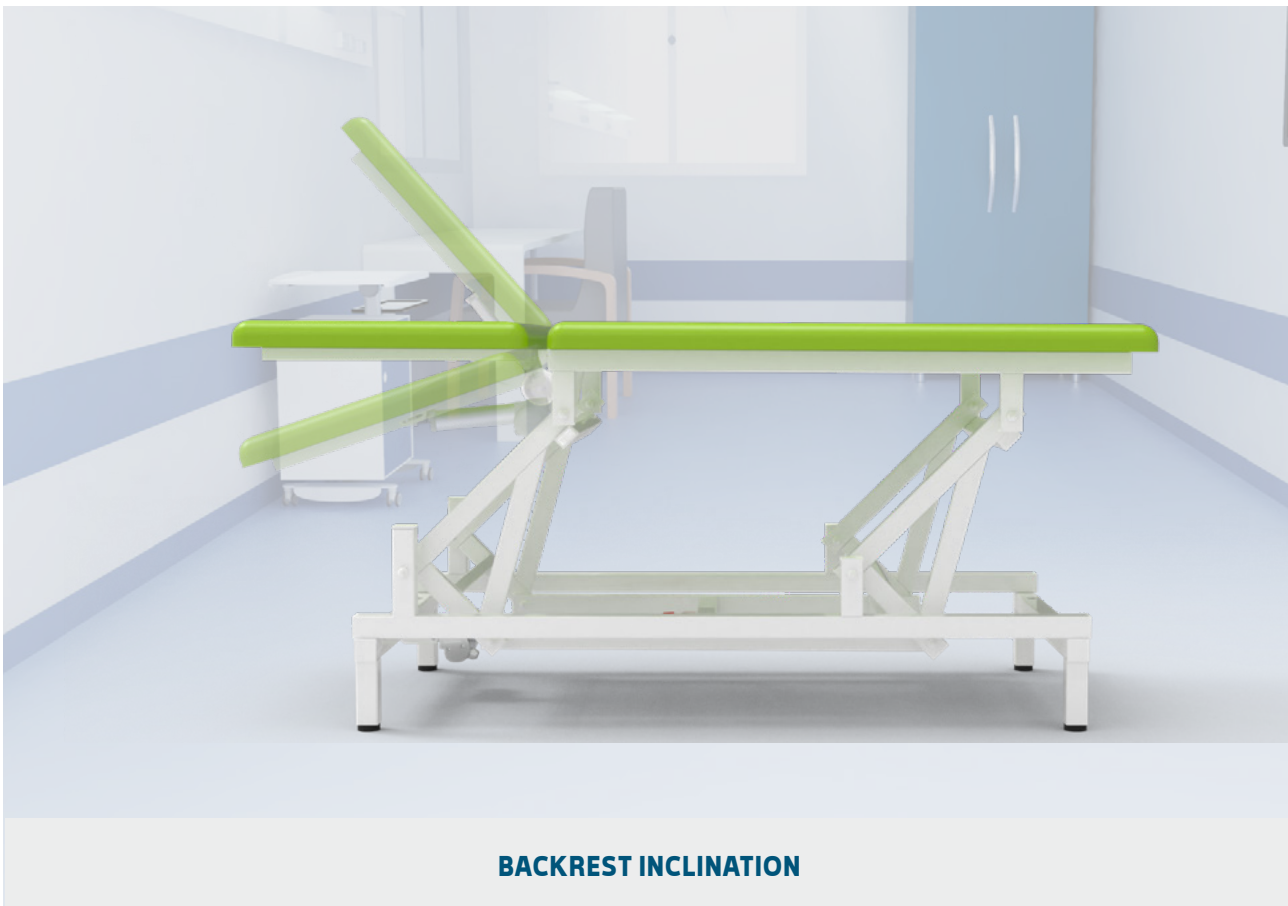
- Motorised table height adjustment by means of linkages operated by a low-voltage linear actuator. It is possible to achieve a minimum height of 50 cm up to a maximum height of 90 cm, with a total range of 40 cm.
- Motorised back section via low-voltage linear actuator.
- Reinforced frame made of steel painted with thermosetting epoxy powders enriched with antibacterial, customised colour on request.
- The perimeter hand control is equipped with a 3.5 m coiled cable. For patient safety, the hand control is equipped with a key for control inhibition (equipment code AC34L). The hand control is easy to use as it has large raised pictograms and is also suitable for visually impaired patients; IP66 insulation.
- 4 adjustable feet at the base of the frame for extreme stability on all surfaces.
- Padding made of high-density foam resin.
- Upholstery in class 11M leatherette, a material that can be sanitised with commonly used detergents and medical-surgical aids, with antibacterial, antifungal and stain-resistant properties. Colour customisation on request (equipment code AC87/1).



THE MINIMUM HEIGHT OF 50 CM ALLOWS EASY ACCOMMODATION FOR ALL PATIENTS



VARIABLE HEIGHT WITH A MAXIMUM HEIGHT OF 90 CM

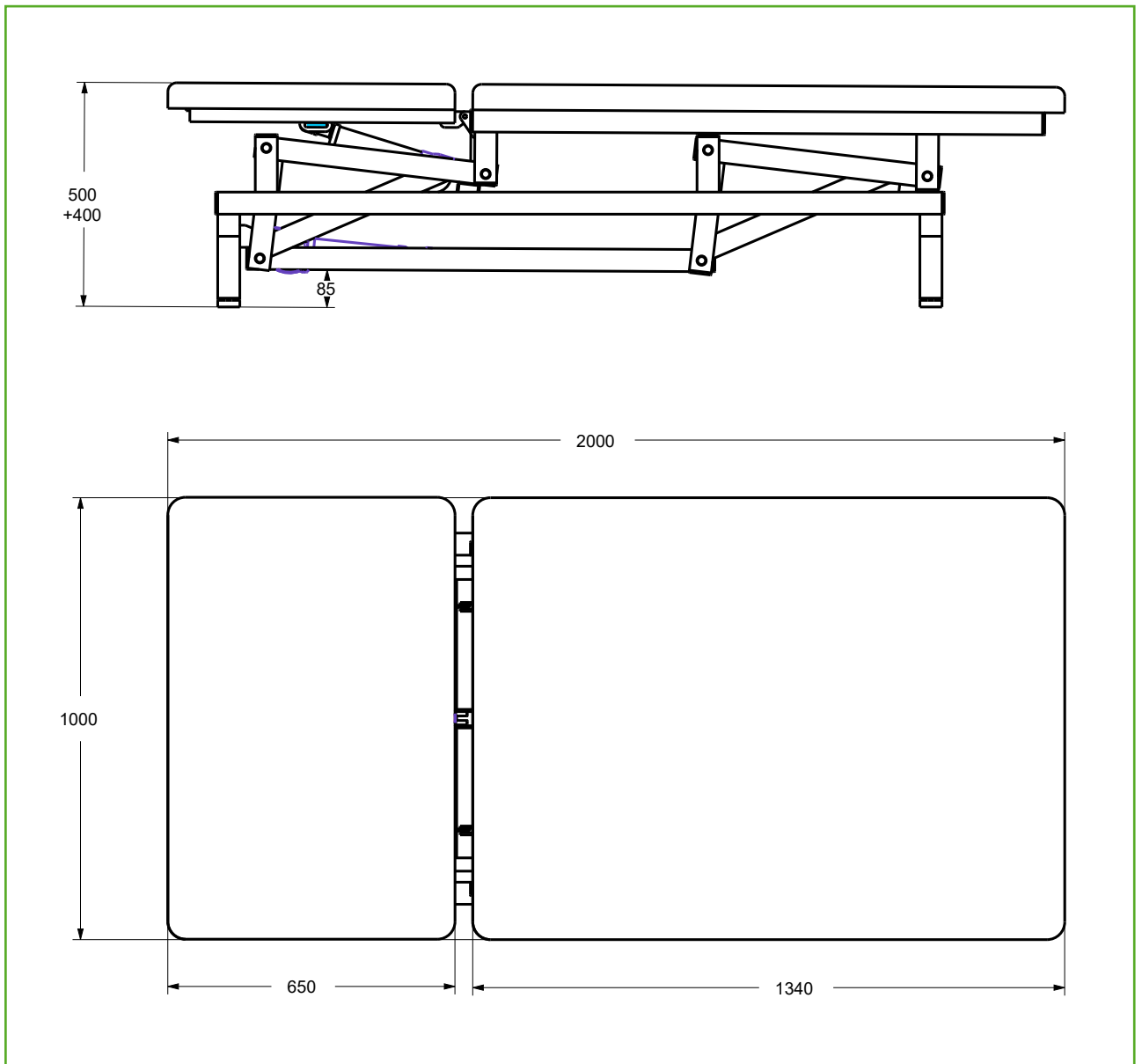


BACKREST INCLINATION





DIMENSIONS





ACTIVE 100 VERSION 1.2

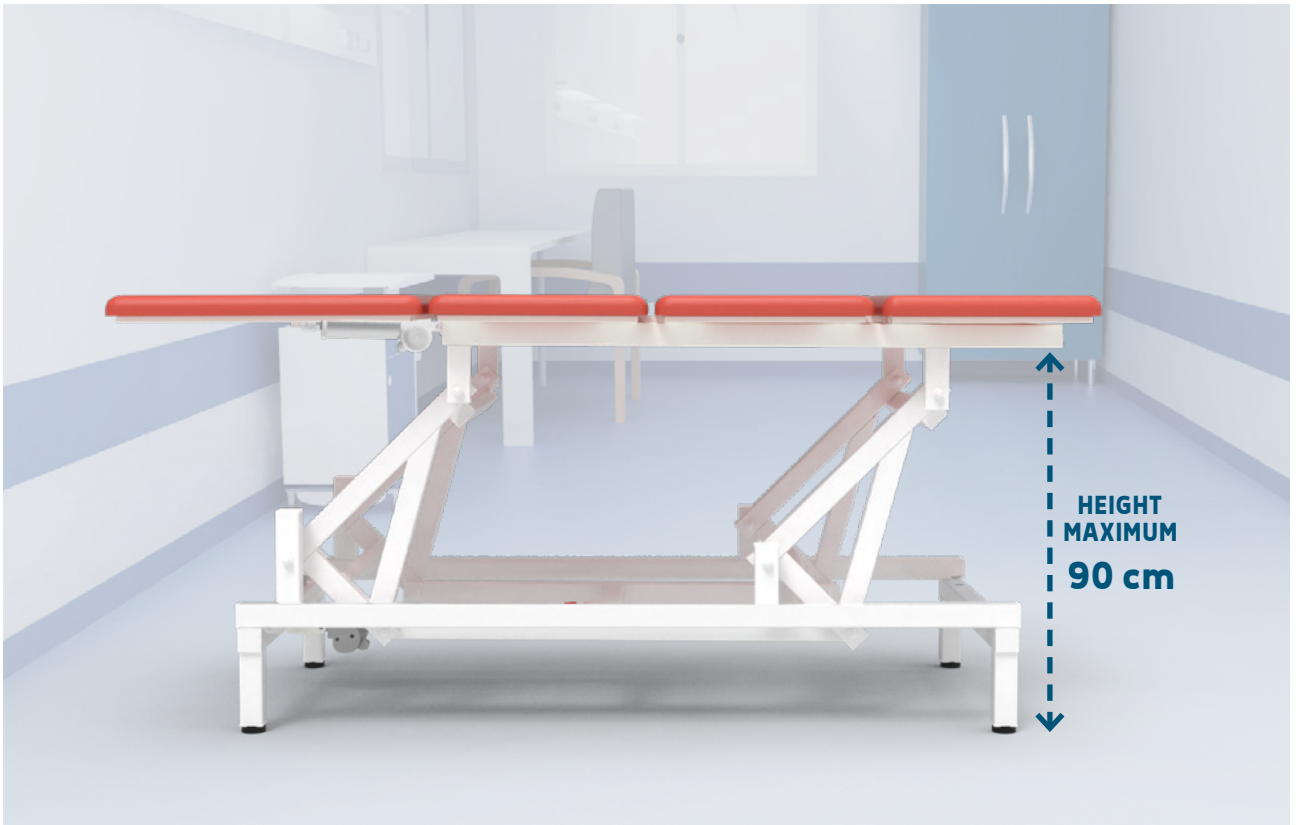
The Active 100 couch version 1.2 is equipped with a **four sections** and is specially designed for physiotherapy treatments, examinations and examinations. Thanks to the large surface area of this device, it is possible to accompany the patient in numerous exercises aimed at rehabilitation.

Standard Features

- Motorised table height adjustment by means of linkages operated by a low-voltage linear actuator. It is possible to achieve a minimum height of 50 cm up to a maximum height of 90 cm, with a total range of 40 cm.
- Back section motorised via low-voltage linear actuator.
Femoral section motorised via low-voltage linear actuator.
- Leg section synchronised to the movement of the femoral section.
- Reinforced frame, made of steel painted with thermosetting epoxy powders enriched with antibacterial, customised colour on request.
- The perimeter hand control is equipped with a 3.5 m coiled cable. For patient safety, the hand control is equipped with a key for control inhibition (equipment code AC34L). The hand control is easy to use as it has large raised pictograms and is also suitable for visually impaired patients; IP66 insulation.
- 4 adjustable feet at the base of the frame for extreme stability on all surfaces.
- Padding made of high-density foam resin.
- Upholstery in class IIM leatherette, a material that can be sanitised with commonly used detergents and medical-surgical aids, with antibacterial, antifungal and stain-resistant properties. Colour customisation on request (equipment code AC87/1).

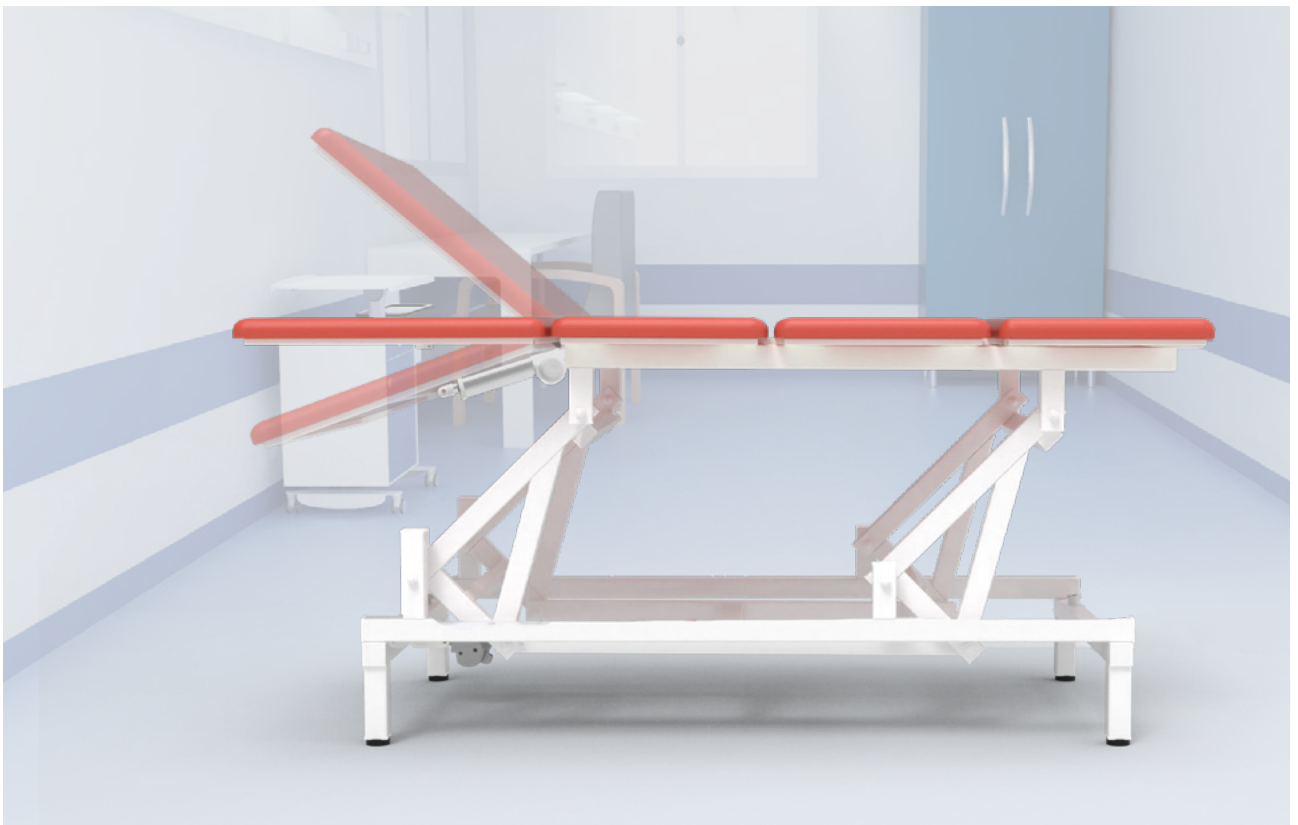


THE MINIMUM HEIGHT OF 50 CM ALLOWS EASY ACCOMMODATION FOR ALL PATIENTS



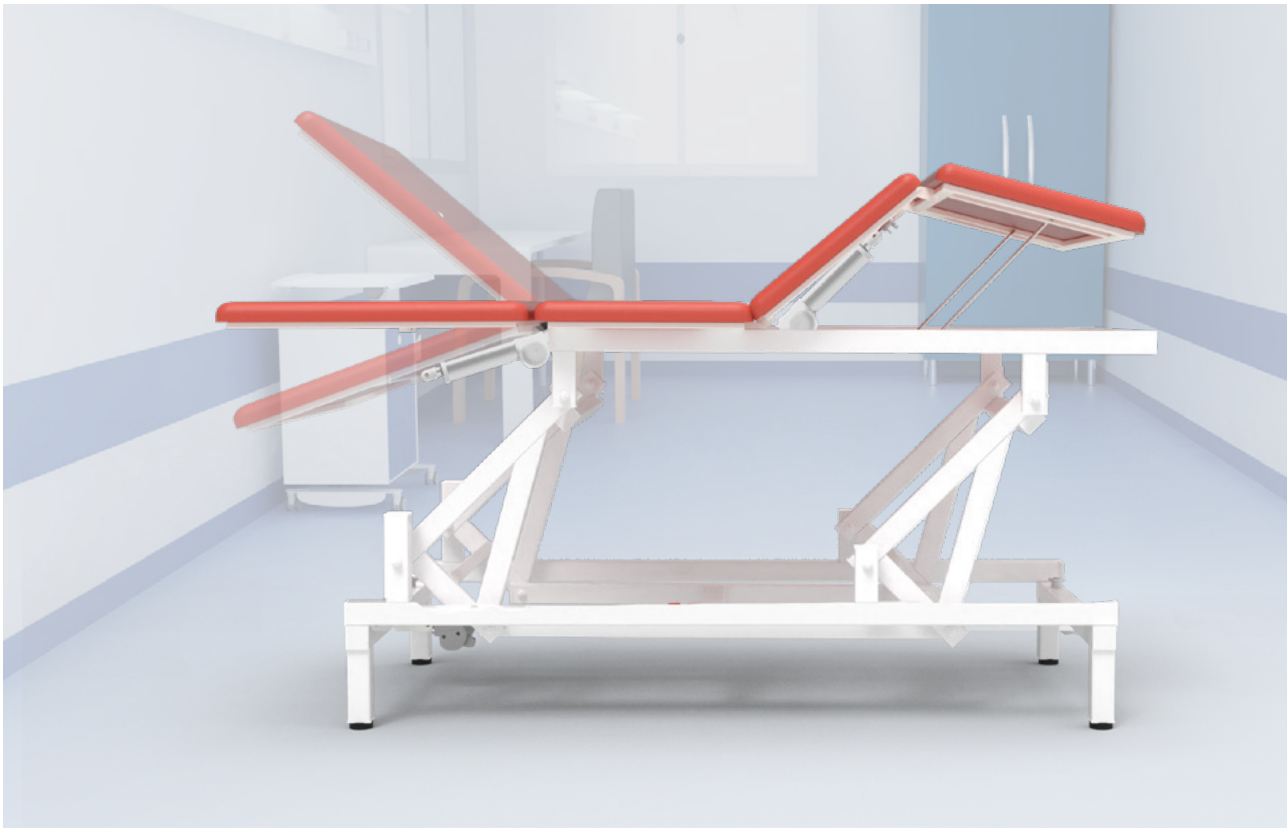
HEIGHT
MAXIMUM
90 cm

VARIABLE HEIGHT WITH A MAXIMUM HEIGHT OF 90 CM



**BACKREST INCLINATION WITH A WIDE RANGE OF MOVEMENT,
WHICH ALLOWS FOR NUMEROUS POSTURES**



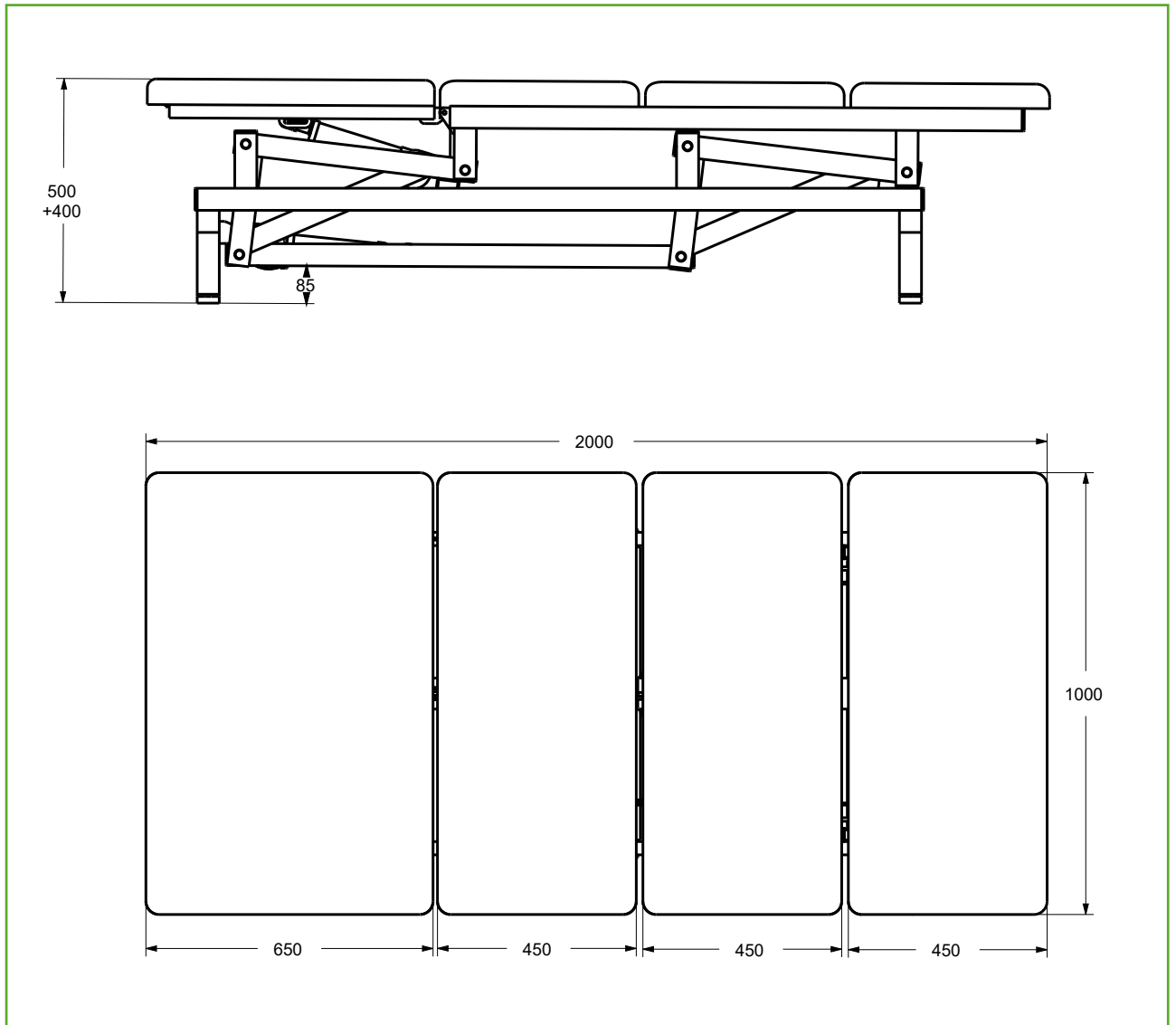


THE POSSIBILITY OF HAVING 4 SECTIONS ALLOWS FOR NUMEROUS ADJUSTMENTS INCLUDING POSTURE POSITIONS 'RELAX WITH LEGS BENT'





DIMENSIONS



Do you want to change the color of the frame?

Scan or click the QR code and discover how to customize the device by consulting our color chart.



Do you want to change the color of the upholstery?

Scan or click the QR code and discover how to customize the device by consulting our color chart.





Technical sheet

CND e EMDN	V080603
GMDN Code	34870
UDI-DI di base	805771740LVISKK
N. progressive/R	2293777/R
ID Code	GB0388.SP-1.0 - Active 100 - Versione 1.0 - Piano unico GB0388.SP-1.1 - Active 100 - Versione 1.1 - Piano 2 sezioni GB0388.SP-1.2 - Active 100 - Versione 1.2 - Piano 4 sezioni
Inteded use	Couch for Physiotherapy / Rehabilitation
Manufacturer	GARDHEN BALANCE SRL
Overall weight	95 kg
Controls	Handset
Feet	No. 4 adjustable feet
Power	Multitension 100-240 Vac 50/60 Hz
Battery	24v - 4.5A
Electric motors Low voltage	Low voltage (24 V)
Max electrical input	4A
Insulation	IP44
Max load capacity	200 kg
Safety working load	235 kg

Main cord



Type F - Schuko



Type L - 16A



Type I - Australia



Type B - Canada and USA



Type B - Canada and USA

Gardhen Balance S.r.l.

Via G. Luraghi c/o Consorzio Il Sole - lotto S - 80038 Pomigliano d'Arco (NA) - Italia

Tel. +39.081.8692160 pbx - Fax +39.081.8692460

E-mail: info@gardhenbalance.it - PEC: gardhenbalance@pec.it

Visita il nostro sito www.gardhenbalance.it / Seguici su     

Pictures contained in this brochure is for illustrative purpose only. The manufacturer reserves the right to modify the projects without notice. For accessories identification please refer to the accessory catalogue or commercial offer. When data are different please refer to commercial offer.

Dep. EN 315 rev. 14/02/2023